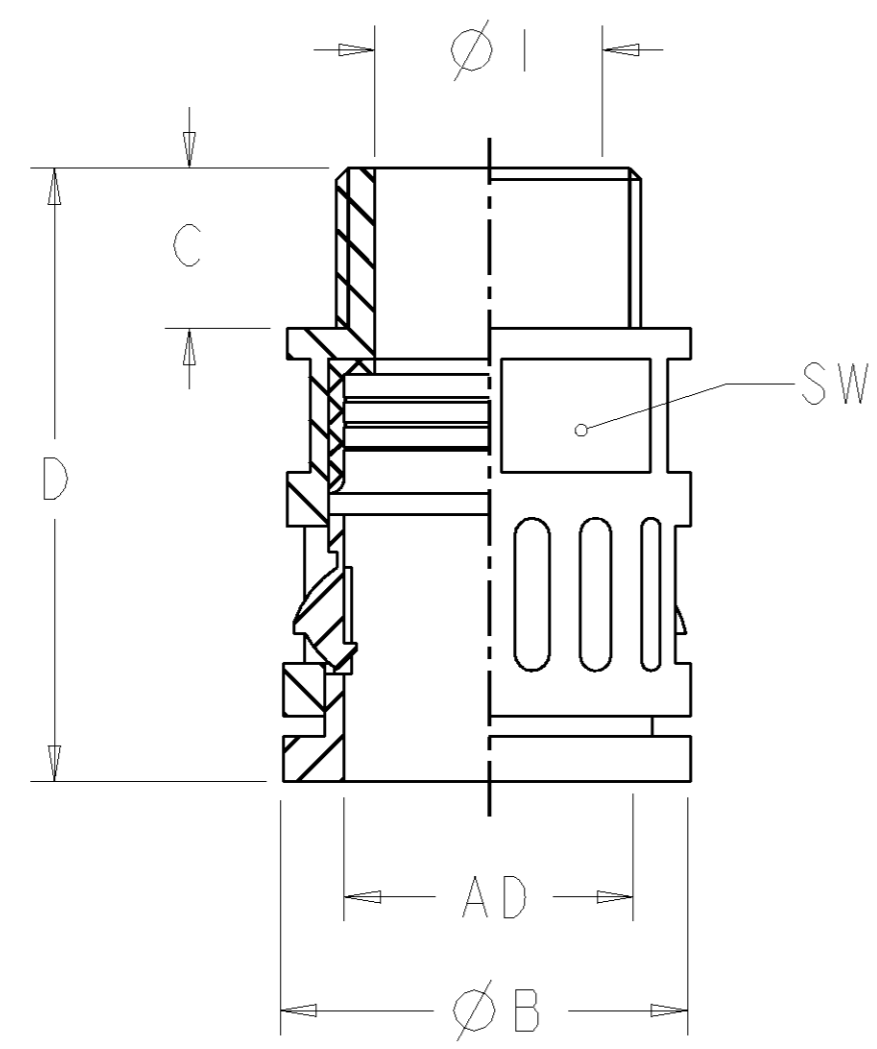


THIS DRAWING IS UNPUBLISHED. RELEASED FOR PUBLICATION
 © COPYRIGHT 19 BY TYCO ELECTRONICS CORPORATION. ALL RIGHTS RESERVED.

LOC	DIST	REVISIONS					
FT	0	P	LTR	DESCRIPTION	DATE	DWN	APVD
		O		RLSE PER NPR 5742	-	-	-
		A		ADDED 1-796283-1, 0G3B-0571-01	14NOV2001	SW	SH
		B		REVISED PER 0G3B-0674-00	20FEB2002	EZ	SH



- 1 Material: PA
- 2 Color: See Table

3.80	10	59.0	55.0	16.0	65.5	45.0	M50 X 1.5	54.5	GREY	3-796283-0
2.80	25	48.0	53.5	15.0	51.5	35.0	M40 X 1.5	42.5	GREY	2-796283-9
2.20	25	40.0	51.0	15.0	44.0	27.5	M32 X 1.5	34.5	GREY	2-796283-8
1.40	25	34.0	47.0	13.0	37.0	20.5	M25 X 1.5	28.5	GREY	2-796283-7
0.70	50	21.0	39.0	13.0	23.0	12.0	M20 X 1.5	15.8	GREY	2-796283-5
0.60	50	21.0	39.0	12.0	23.0	12.0	M16 X 1.5	15.8	GREY	2-796283-4
0.50	50	18.0	37.0	12.0	20.0	10.0	M16 X 1.5	13.0	GREY	2-796283-3
0.45	50	18.0	37.0	12.0	20.0	8.0	M12 X 1.5	13.0	GREY	2-796283-2
0.40	50	15.5	34.5	12.0	17.0	6.5	M10 X 1.0	10.0	GREY	2-796283-1
1.00	50	27.0	44.5	13.0	29.5	16.0	M20 X 1.5	21.2	GREY	2-796283-6
0.40	50	15.5	34.5	12.0	17.0	6.5	M12 X 1.0	10.0	BLACK	1-796283-1
3.80	10	59.0	55.0	16.0	65.5	45.0	M50 X 1.5	54.5	BLACK	1-796283-0
2.80	25	48.0	53.5	15.0	51.5	35.0	M40 X 1.5	42.5	BLACK	796283-9
2.20	25	40.0	51.0	15.0	44.0	27.5	M32 X 1.5	34.5	BLACK	796283-8
1.40	25	34.0	47.0	13.0	37.0	20.5	M25 X 1.5	28.5	BLACK	796283-7
1.00	50	27.0	44.5	13.0	29.5	16.0	M20 X 1.5	21.2	BLACK	796283-6
0.70	50	21.0	39.0	13.0	23.0	12.0	M20 X 1.5	15.8	BLACK	796283-5
0.60	50	21.0	39.0	12.0	23.0	12.0	M16 X 1.5	15.8	BLACK	796283-4
0.50	50	18.0	37.0	12.0	20.0	10.0	M16 X 1.5	13.0	BLACK	796283-3
0.45	50	18.0	37.0	12.0	20.0	8.0	M12 X 1.5	13.0	BLACK	796283-2
0.40	50	15.5	34.5	12.0	17.0	6.5	M10 X 1.0	10.0	BLACK	796283-1
Approx. Weight kg/100p	Packaging Unit	SW	D	C	ØB	ØI	Metric	AD	Material Color	Part Number
		mm	mm	mm	mm	mm	Thread EN 60423	Trade Size		
		Hex Width	Total Length	Length of Thread	Largest Outer-Ø	Smallest Inner-Ø		Tubing Outer-Ø		

THIS DRAWING IS A CONTROLLED DOCUMENT FOR TYCO ELECTRONICS CORPORATION. IT IS SUBJECT TO CHANGE AND THE CONTROLLING ENGINEERING ORGANIZATION SHOULD BE CONTACTED FOR THE LATEST REVISION.

DWN	S. WELDON	16AUG1999
CHK	M. CHACKO	16AUG1999
APVD	M. CHACKO	16AUG1999

AMP AMP DEUTSCHLAND GmbH
D - 63225 Langen

NAME Plastic Quick Screw Connection, Metric ISO Outer Thread

SIZE	A2	CAGE CODE	00779	DRAWING NO	G-796283	RESTRICTED TO	-
WEIGHT	-	SCALE	NTS	SHEET	1 OF 1	REV	B

CUSTOMER DRAWING